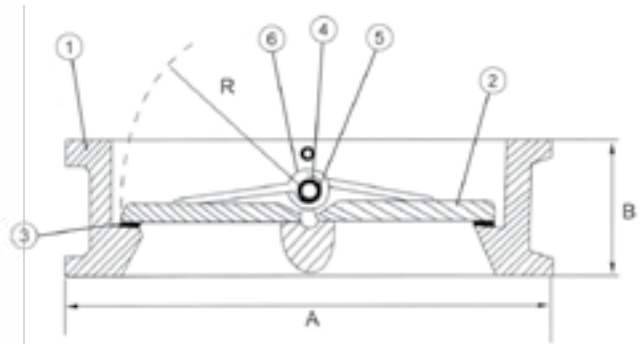


CV-W-DD-PN16

Double Disc Wafer Swing Check Valve (PN16)



Technical References

Connection Type	Wafer
Pressure Rating	16 bar / 232 PSI
Sealing Pressure	17.6 bar / 255 PSI
Strength Pressure	24 bar / 348 PSI
Working Temperature	NBR : -10 ~ +80°C EPDM : -10 ~ +120°C VITON : -10 ~ +150°C
Working Medium	Water, Oil, Gas

Dimensions (mm)

Size (DN)	A	B	R
50	109	43	54
65	121	46	54
80	130	64	57
100	155	64	64
125	185	70	70
150	216	76	76
200	267	89	95
250	330	114	108
300	375	114	144
350	440	127	183
400	491	140	202
450	541	152	206
500	600	152	213
600	688	178	222

Materials

No.	Part	Standard Material	Optional Material
1	Body	Cast Iron	Ductile Iron, Stainless Steel, Steel
2	Disc	Ductile Iron	Al. Bronze, Carbon Steel, Stainless Steel
3	Seat Gasket	Rubber	-
4	Axle	Stainless Steel	-
5	Spring	Stainless Steel	-
6	Washer	Teflon	-