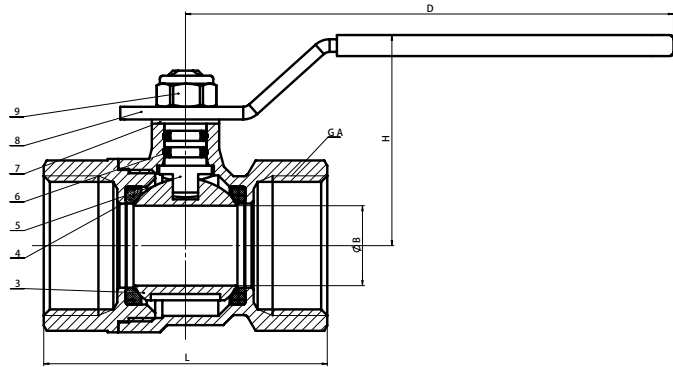


# BLV-S-BR

## Brass Ball Valve



### Technical References

|                        |  |
|------------------------|--|
| Connection Type        | Threaded                                     |
| Pipe Threaded Standard | BSPT / NPT (BSPT as standard)                |
| Pressure Rating        | 20 bar / 290 PSI                             |
| Working Temperature    | -20°C ≤ T ≤ 110°C                            |
| Working Medium         | Water, Non-corrosive liquid, Saturated Steam |

### Materials

| No. | Parts    | Material        |
|-----|----------|-----------------|
| 1   | Body     | Brass           |
| 2   | Retainer | Brass           |
| 3   | Ball     | Brass           |
| 4   | Seat     | PTFE            |
| 5   | Stem     | Brass           |
| 6   | O-Ring   | NBR             |
| 7   | Washer   | PTFE            |
| 8   | Handle   | Steel           |
| 9   | Lock Nut | Stainless Steel |

### Dimensions (mm)

| Size DN | B  | D   | H    | L    |
|---------|----|-----|------|------|
| 8       | 8  | 70  | 36   | 40   |
| 10      | 8  | 70  | 36   | 41   |
| 15      | 10 | 96  | 42   | 51   |
| 20      | 14 | 96  | 44   | 57.5 |
| 25      | 19 | 116 | 50   | 67   |
| 32      | 24 | 116 | 54.5 | 77   |
| 40      | 31 | 126 | 64   | 87.5 |
| 50      | 39 | 126 | 70.5 | 105  |