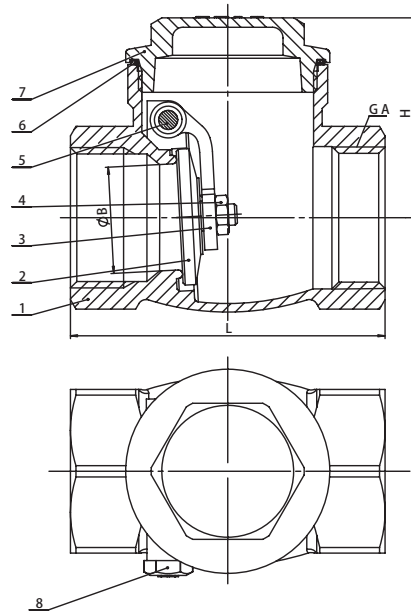
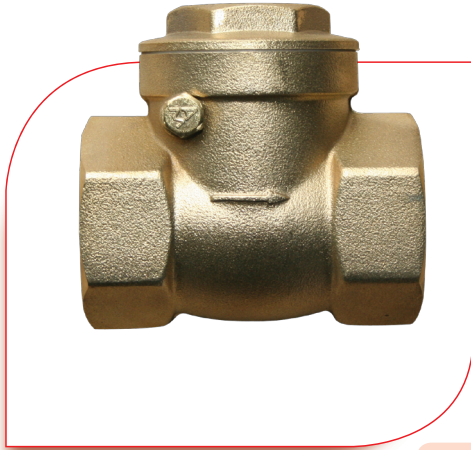


CV-S-BR

Brass Check Valve



Technical References

Connection Type	Threaded
Pipe Threaded Standard	BSPT
Pressure Rating	16 bar / 232 PSI
Working Temperature	-20°C ≤ T ≤ 150°C
Working Medium	Water, Non-corrosive liquid, Saturated Steam

Materials

No.	Parts	Material
1	Body	Brass
2	Disc	Brass
3	Stem	Brass
4	Nut M5	Stainless Steel
5	Hinge Pin Plug	Stainless Steel
6	Gasket	PTFE
7	Bonnet	Brass
8	Disc Nut	Brass

Dimensions (mm)

Size DN	B	H	L
15	13	36	50
20	19	40	60
25	25	46.5	74
32	30	53	84
40	36	60	94
50	46	70	114