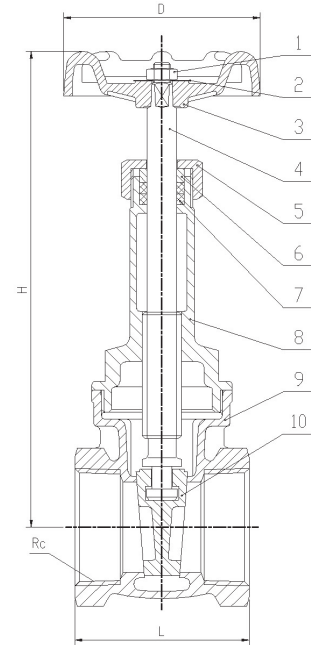
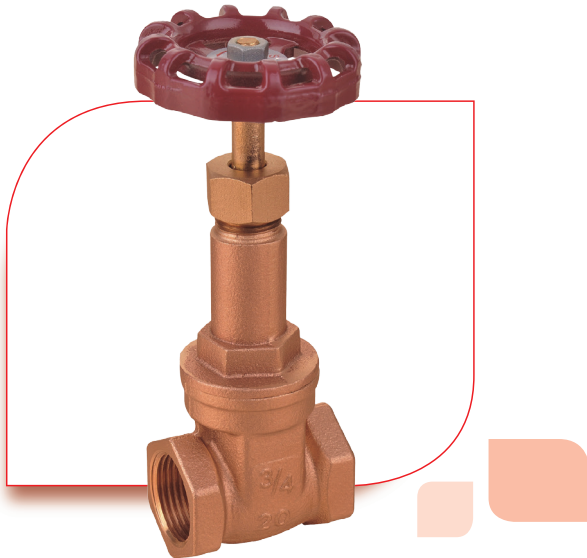


GV-S-RS-BZ

Bronze Gate Valve (Rising Stem)



Technical References

Connection Type	Threaded
Pipe Threaded Standard	BSPT
Pressure Rating	20 bar / 290 PSI
Working Temperature	-20 oC ≤ T ≤ 180oC
Working Medium	Water, Non-corrosive liquid, Saturated Steam

Materials

No.	Part	Standard Material
1	Nut	Brass
2	I.D Plate	Aluminium
3	Handwheel	Aluminium
4	Stem	DZR Brass
5	Packing Nut	Brass
6	Stem Bush	DZR Brass
7	Packing	PTFE
8	Bonnet	Bronze
9	Body	Bronze
10	Disc	Bronze

Dimensions (mm)

Valve Size DN	Rc	L	H	D
15	½	43	112	55
20	¾	49	125	63
25	1	54	143	70
32	1 ¼	62	170	70
40	1 ½	65	198	80
50	2	75	233	90